



OCTOPUS



SELECTION GUIDE

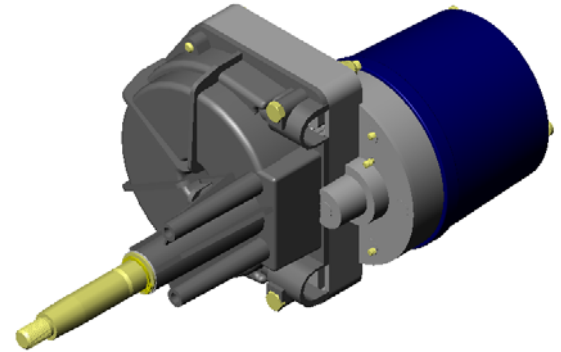
DRIVE UNITS – CONNECTION KITS & ACCESSORIES – ROTARY MECHANICAL DRIVE

A. Drive Units

i. Behind the Dashboard

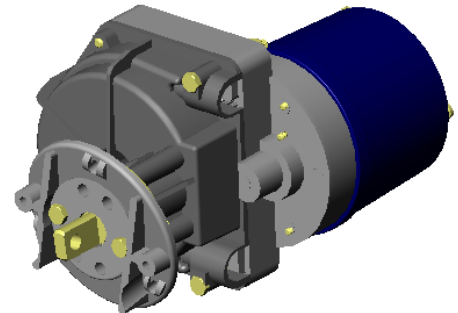
Straight Shaft with Rudder Feed Back
Straight Shaft without Rudder Feed Back

Order AFMDMSRW
Order AFMDMSW



Tilt Shaft with Rudder Feed Back
Tilt Shaft without Rudder Feed Back

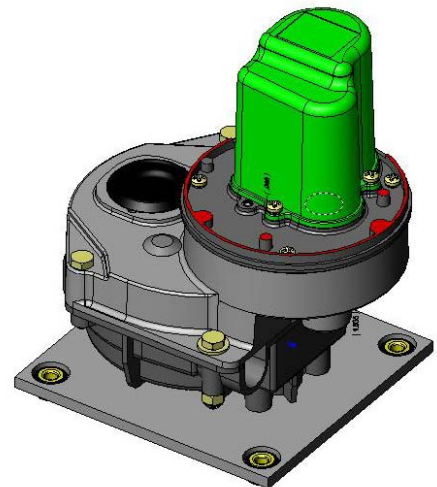
Order AFMDTPRW
Order AFMDTPW



ii. Remote

Remote with Rudder Feed Back
Remote without Rudder Feed Back

Order AFMDRERW
Order AFMDREW



**FROM OCTOPUS – A division of Canada Metal Pacific Ltd - Vancouver Canada
TEL 604 940 2010 - FAX 604 952 2650**

DRIVE UNITS – CONNECTION KITS & ACCESSORIES – ROTARY MECHANICAL DRIVE
SELECTION GUIDE (continued)

B. Accessories For All – Rotary Mechanical Drive Units

i. Rudder Feed Back Potentiometer Module - Order 15SUK06 or A thru H
 (Specify the Autopilot Model & Manufacturer)



ii. Steering Cables – When replacing steering cable on Behind the Dashboard drives or selecting new cable for Remote Drive installation order Teleflex Part # SSC52-XX (length in feet) generally available from marine mechanical steering wholesale. Or order OC15109-XX (length in feet) from Octopus.

C. Accessories for – Behind the Dashboard – Rotary Mechanical Drive Units

i. Retro-fit Helm Housings



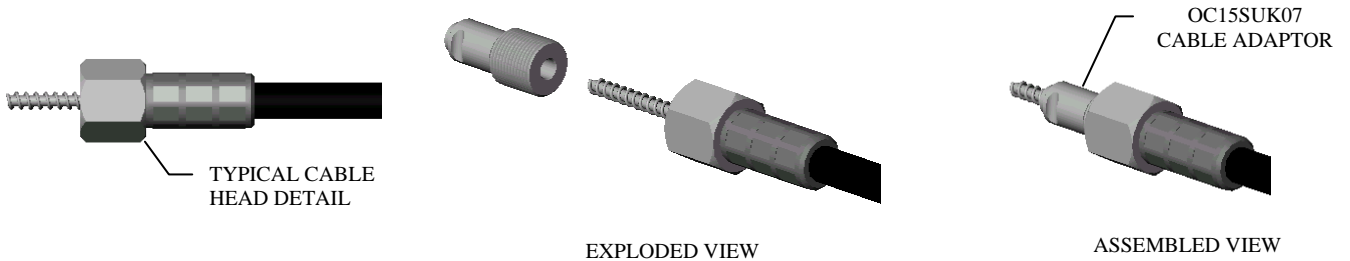
For Morse Tilt Mechanism
 Order OC15SUK02 Helm Kit



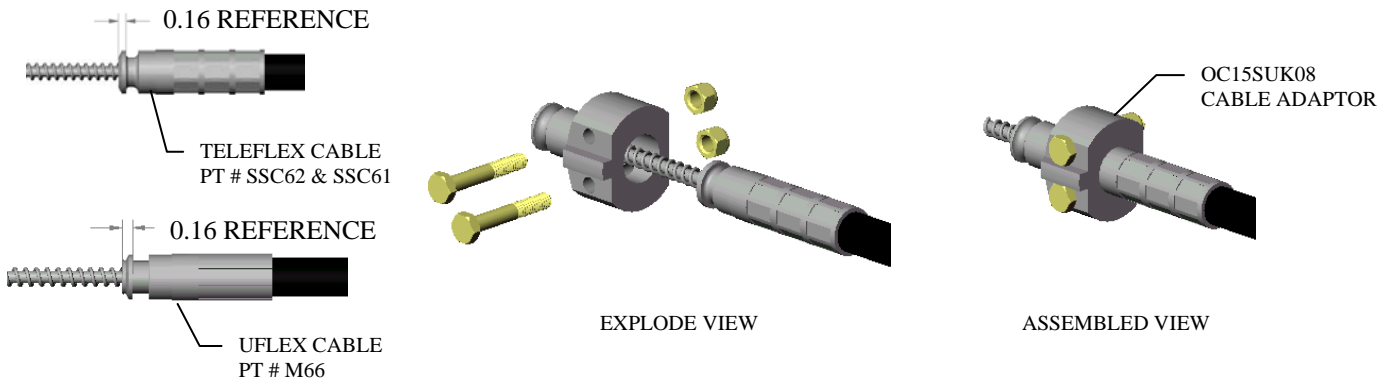
For TFX Standard Tilt Mechanism
 Order OC15SUK03 Helm Kit

ii. Steering Cable Adaptors

a. For Morse Cable Pt # 304415 or Teleflex Cable Pt # SSC72 or Uflex Cable Pt # M47 - Order OC15SUK07



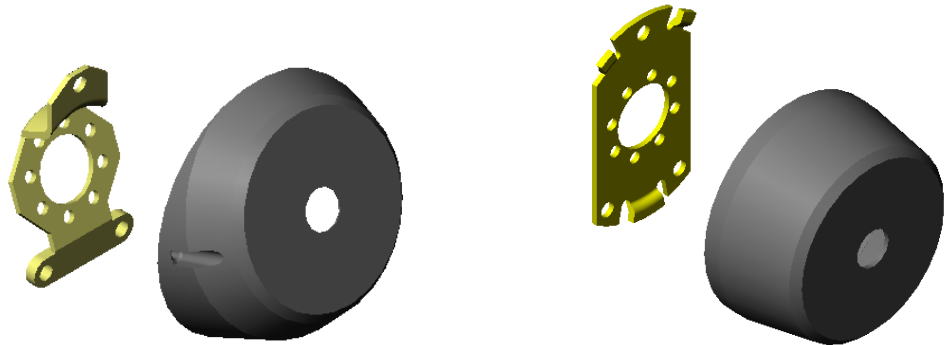
b. For Teleflex Cable Part # SSC62 & SSC61 or Uflex Cable Part # M66. - Order 15SUK08



FROM OCTOPUS – A division of Canada Metal Pacific Ltd - Vancouver Canada
TEL 604 940 2010 - FAX 604 952 2650

DRIVE UNITS – CONNECTION KITS & ACCESSORIES – ROTARY MECHANICAL DRIVE
SELECTION GUIDE (continued)

iii. Bezel + Mounting Hardware Kits



20 Degree Bezel Kit &
Order OC15SUK09

90 Degree Bezel Kit &
Order OC15SUK10

iv. Adjustable Friction Brake



For Straight Shaft Drive
With 90 degree Bezel Kit
Order OC15SUK11

v. Helm Spacer + Mounting Hardware Kits



For 90 degree Mount
Order OC15SUK16



For 20 degree Mount
Order OC15SUK17



For TFX Performance Tilt Mount
Order OC15SUK18

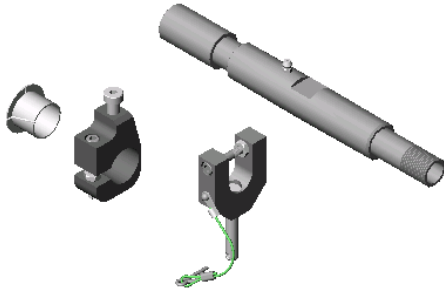
FROM OCTOPUS – A division of Canada Metal Pacific Ltd - Vancouver Canada
TEL 604 940 2010 - FAX 604 952 2650

DRIVE UNITS – CONNECTION KITS & ACCESSORIES – ROTARY MECHANICAL DRIVE
SELECTION GUIDE (continued)

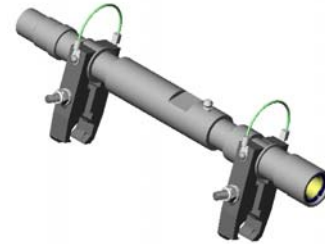
D. Accessories for – Remote – Rotary Mechanical Drive Units

Note that all the connection kits shown in section D require the addition of a Steering Cable of the appropriate length. See section B ii for ordering information.

i. Multi I/O Connection Kits for Second Steering Cable Connection to Sterndrive



Type B – Multi I/O Connection Kit
 Suitable For All
 Mercruiser Sterndrives from 1994
 Volvo Diesel SX Sterndrives from 1997
 Volvo Gasoline SX & DP Sterndrives from 1997
 See Application Chart - Order OC15SUK12B



Type C – Multi I/O Connection Kit
 Suitable For All
 Mercruiser Sterndrives from up to 1993
 Volvo Diesel DP Sterndrives from 1994
 (Mainly European Market)
 See Application Chart - Order OC15SUK12C



ii. O/B Connection Kit for Second Steering Cable Connection to Outboard



Suitable for most Yamaha Engines
 See Application Chart
 Order OC15SUK15A

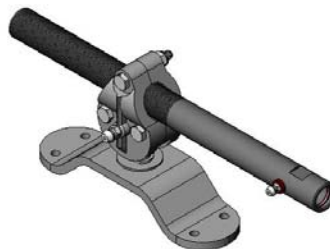


Suitable for most Mercury-Mariner
 & Suzuki Engines
 See Application Chart
 Order OC15SUKB



iii. Universal Connection Kit for Custom Steering Cable Connection to Tiller or Quadrant

Order OC15SUK19



FROM OCTOPUS – A division of Canada Metal Pacific Ltd - Vancouver Canada
TEL 604 940 2010 - FAX 604 952 2650