



TECHNICAL BULLETIN – TB006

Affected Part Numbers

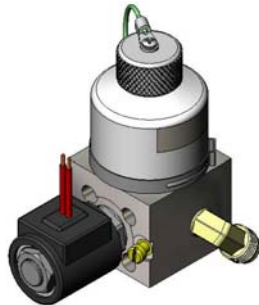
All Hydraulic Sailboat Drives – Built before Nov 2007

Adapter Plate Kit introduced to allow Gen I Bypass Valves to be mated up to Gen II Pump Modules when servicing hydraulic sailboat drives. Kit Part Number OC17SUK35.

This Kit is required when replacing:

- Pump Module Only
- Complete Pump Assembly

Modified Pump Modules (Gen II) were introduced into Octopus Reversing Pumps in the fall of 2007. The 'O' ring Seal Pattern on the front face of the Gen II Pump Housing is NOT compatible with the Port Pattern on Gen I Bypass Valves.

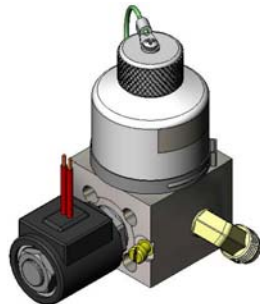


Gen I Bypass Valve



Gen I Pump Module

Gen I Bypass Valve – Compatible with Gen I Pump Module Only



Gen I Bypass Valve

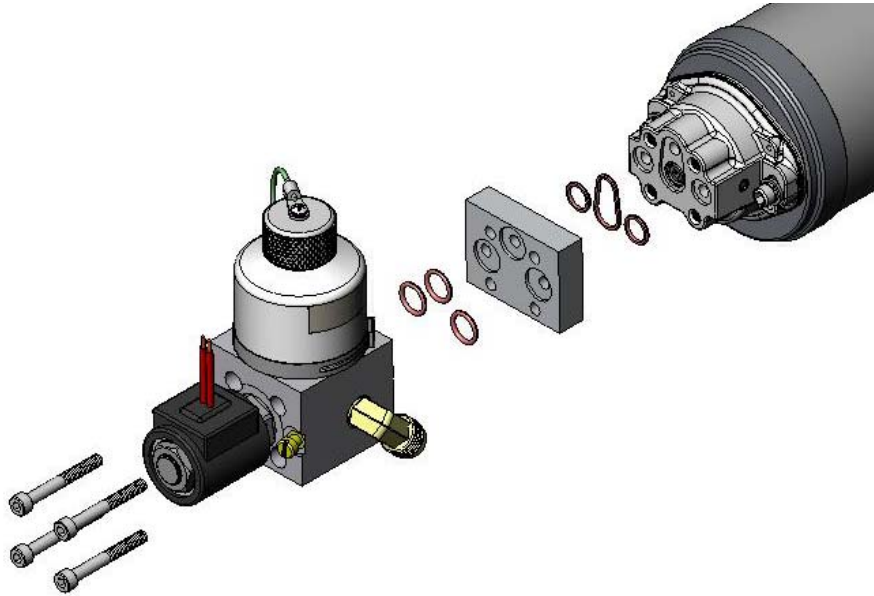


Gen II Pump Module

Gen I Bypass Valve – NOT directly Compatible with Gen II Pump Module



TECHNICAL BULLETIN – TB006



Gen I Bypass Valve – Adapter Plate Kit – Gen II Pump Module
